

# DAC14135

## 14-bit, 135MSPS D/A Converter

### General Description

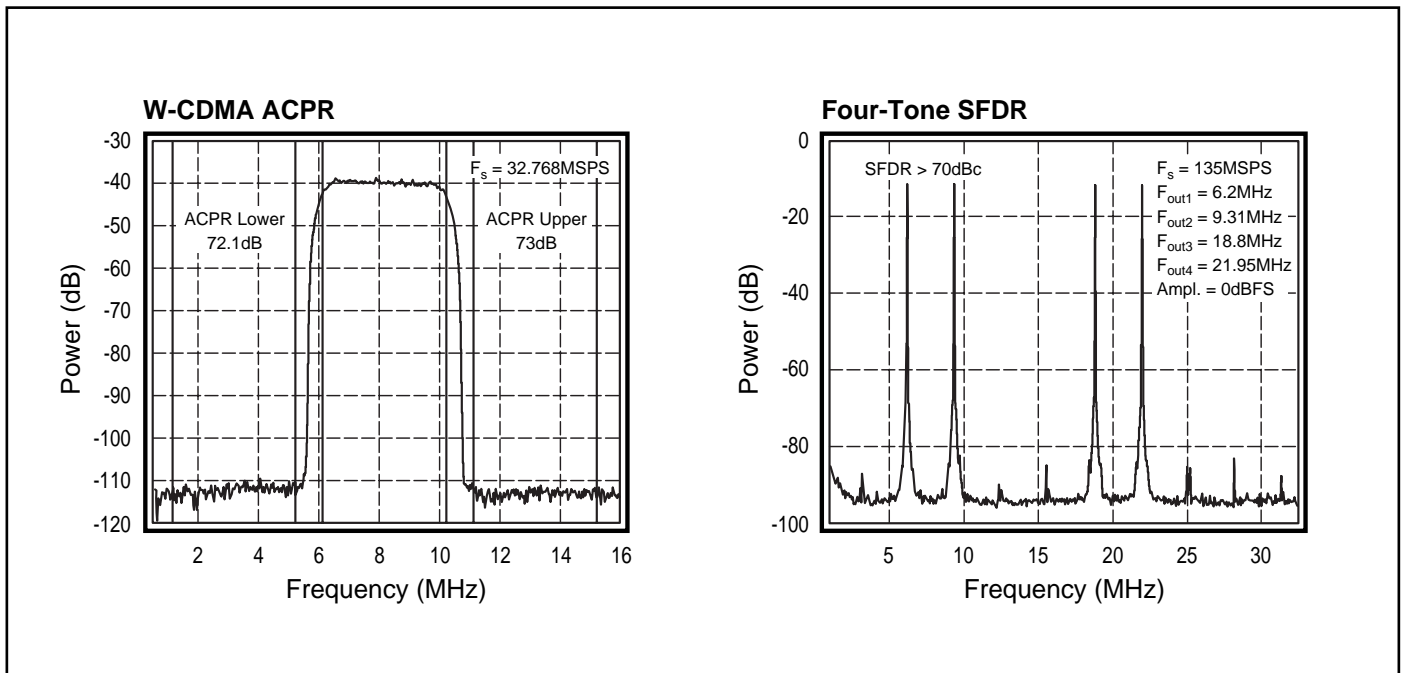
The DAC14135 is a monolithic 14-bit, 135MSPS digital-to-analog converter. The device has been optimized for use in cellular base stations and other applications where high resolution, high sampling rate, wide dynamic range, and compact size are required. The DAC14135 has many integrated features including a proprietary segmented DAC core, differential current outputs, a band-gap voltage reference, and TTL/CMOS compatible inputs. The converter features an 85dBc spurious free dynamic range (SFDR) at low frequencies and a 70dBc SFDR with 20MHz output signals. The 48-pin TSSOP package provides an extremely small footprint for applications where space is a critical consideration. The DAC14135 operates from a single +5V power supply. The digital power supply can also operate from +3.3V for lower power consumption and compatibility with +3.3V data inputs. The DAC14135 is fabricated in a 0.5 $\mu$ m CMOS process and is specified over the industrial temperature range of -40°C to +85°C. National Semiconductor thoroughly tests each part to verify full compliance with the guaranteed specifications.

### Features

- 135 MSPS
- Wide dynamic range
  - SFDR @ 1MHz  $f_{out}$ : 85dBc
  - SFDR @ 5MHz  $f_{out}$ : 79dBc
  - SFDR @ 20MHz  $f_{out}$ : 70dBc
- Differential Current Outputs
- Low power consumption: 185mW
- Very small package: 48-pin TSSOP
- TTL/CMOS (+3.3V or +5V) inputs

### Applications

- Cellular Basestations:
  - GSM, WCDMA, DAMPS, etc.
- Multi-carrier Basestations
- Multi-standard Basestations
- Direct digital synthesis (DDS)
- ADSL modems
- HFC modems



# DAC14135

## Electrical Characteristics

(sample rate = 135MSPS,  $T_{min} = -40^{\circ}\text{C}$ ,  $T_{max} = +85^{\circ}\text{C}$ ,  $AV_{DD} = +5\text{V}$ ,  $DV_{DD} = +5\text{V}$ ,  $CV_{DD} = +5\text{V}$ , full scale current = 20mA, differential 50Ω doubly terminated output, unless specified otherwise)

PARAMETERS	CONDITIONS	TEMP	RATINGS			UNITS	NOTES
			MIN	TYP	MAX		
<b>RESOLUTION</b>		Full		14		Bits	1
<b>FULL SCALE CURRENT</b>		Full		20		mA	
<b>MAXIMUM CONVERSION RATE</b>		Full	135	150		MSPS	1, 2
<b>SFDR (1<sup>ST</sup> Nyquist band)</b>	$f_{out} = 1\text{MHz}$ , 0dBFS	Full	75	85		dBc	2
<b>SFDR (1<sup>ST</sup> Nyquist band)</b>	$f_{out} = 5\text{MHz}$ , 0dBFS	Full	70	79		dBc	2
<b>SFDR (1<sup>ST</sup> Nyquist band)</b>	$f_{out} = 20\text{MHz}$ , 0dBFS	Full	64	70		dBc	1, 2
<b>NOISE FLOOR</b>	$f_{out} = 5\text{MHz}$ , 0dBFS	+25°C		-146		dBFS/Hz	
<b>DYNAMIC LINEARITY @ <math>DV_{DD} = +5\text{V}</math></b>	<b>sample rate = 135MSPS</b>						
spurious-free dynamic range	1 <sup>ST</sup> Nyquist band						
$f_{out} = 1\text{MHz}$	0dBFS	Full	75	85		dBc	2
$f_{out} = 5\text{MHz}$	0dBFS	Full	70	79		dBc	2
$f_{out} = 20\text{MHz}$	0dBFS	Full	64	70		dBc	1, 2
SFDR within a band	$f_{out} = 20\text{MHz}$ , 4MHz band	+25°C		90		dBc	
four-tone SFDR	6.2, 9.31, 18.8, 21.95 MHz	+25°C		72		dBc	
<b>DYNAMIC LINEARITY @ <math>DV_{DD} = +3.3\text{V}</math></b>	<b>sample rate = 100MSPS</b>						
spurious-free dynamic range	1 <sup>ST</sup> Nyquist band						
$f_{out} = 1\text{MHz}$	0dBFS, $DV_{DD} = +3.3\text{V}$	+25°C		83		dBc	
$f_{out} = 5\text{MHz}$	0dBFS, $DV_{DD} = +3.3\text{V}$	+25°C		77		dBc	
$f_{out} = 20\text{MHz}$	0dBFS, $DV_{DD} = +3.3\text{V}$	+25°C		70		dBc	
<b>DYNAMIC CHARACTERISTICS</b>							
glitch impulse		+25°C		1		pV-s	3
settling time to 0.1%	step size = $I_{fullscale}/2$	+25°C		30		ns	
rise time		+25°C		0.4		ns	
fall time		+25°C		0.4		ns	
<b>DC ACCURACY AND PERFORMANCE</b>							
differential non-linearity		+25°C		±1.0		LSB	
integral non-linearity		+25°C		±1.5		LSB	
gain error		+25°C		±5.0		% of FS	
gain drift	20mA output current	Full		±75		ppm/°C	
offset error		+25°C		10		nA	
reference voltage		+25°C	1.111	1.235	1.358	V	
<b>ANALOG OUTPUT PERFORMANCE</b>							
full scale current		+25°C		20		mA	
compliance voltage (high)		+25°C		1.25		V	
compliance voltage (low)		+25°C		-0.5		V	
output resistance	at mid-scale	+25°C		150		kΩ	
output capacitance	at mid-scale	+25°C		8.5		pF	
<b>DATA INPUTS</b>							
input logic low voltage, $V_{IL}$		Full			1.3	V	1
input logic high voltage, $V_{IH}$		Full	3.5			V	1
input logic low voltage, $V_{IL}$	$DV_{DD} = +3.3\text{V}$	Full			0.9	V	1
input logic high voltage, $V_{IH}$	$DV_{DD} = +3.3\text{V}$	Full	2.4			V	1
input logic low current, $I_{IL}$		Full	-10		10	μA	1
input logic high current, $I_{IH}$		Full	-10		10	μA	1
<b>TIMING</b>							
maximum conversion rate		Full	135	150		MSPS	1, 2
setup time ( $T_S$ )		+25°C	0.5			ns	
hold time ( $T_H$ )		+25°C	4.5			ns	
propagation delay ( $T_{PD}$ )		+25°C		2		ns	
latency		+25°C		1		clk cycles	
<b>CLOCK INPUTS</b>							
clock inputs internal self bias		+25°C		1.5		V	
differential clock input swing		Full	1.5			V <sub>pp</sub>	
differential clock input slew rate		Full	1			V/ns	
clock input impedance (single-ended)		+25°C		1.2		kΩ	

Min/max ratings are based on product characterization and simulation. Individual parameters are tested as noted. Outgoing quality levels are determined from tested parameters.

# DAC14135 Electrical Characteristics

(sample rate = 135MSPS,  $T_{min} = -40^{\circ}\text{C}$ ,  $T_{max} = +85^{\circ}\text{C}$ ,  $AV_{DD} = +5\text{V}$ ,  $DV_{DD} = +5\text{V}$ ,  $CV_{DD} = +5\text{V}$ , full scale current = 20mA, differential 50Ω doubly terminated output, unless specified otherwise)

PARAMETERS	CONDITIONS	TEMP	RATINGS			UNITS	NOTES
			MIN	TYP	MAX		
<b>POWER REQUIREMENTS</b>							
analog supply current		+25°C		28	35	mA	1
digital supply current	135MSPS, $DV_{DD} = +5\text{V}$	+25°C		9	15	mA	1
digital supply current	100MSPS, $DV_{DD} = +3.3\text{V}$	+25°C		4.5		mA	
power consumption	135MSPS, $DV_{DD} = +5\text{V}$	+25°C		185		mW	
power consumption	100MSPS, $DV_{DD} = +3.3\text{V}$	+25°C		150		mW	
$AV_{DD}$ power supply rejection ratio	at mid-scale	+25°C		1.0		%FS/V	

Min/max ratings are based on product characterization and simulation. Individual parameters are tested as noted. Outgoing quality levels are determined from tested parameters.

## Notes

- These parameters are 100% tested at 25°C.
- These parameters are sample tested at -40°C, +25°C and +85°C.
- Defined as the net area of undesired output transients in pV-s at a major transition.

## Absolute Maximum Ratings

positive supply voltage ( $V_{DD}$ )	-0.5V to +6V
analog output voltage range	-0.7V to $+V_{DD}$
digital input voltage range	-0.5V to $+V_{DD}$
output short circuit duration	infinite
junction temperature	175°C
storage temperature range	-65°C to 150°C
lead solder duration (+300°C)	10sec

Note: Absolute maximum ratings are limiting values, to be applied individually, and beyond which the serviceability of the circuit may be impaired. Functional operability under any of these conditions is not necessarily implied. Exposure to maximum ratings for extended periods may affect device reliability.

## Recommended Operating Conditions

positive analog supply voltage	+5V ±5%
positive digital supply voltage	+3.3V or +5V ±5%
positive clock supply voltage	+5V ±5%
operating temperature range	-40°C to +85°C

## Package Thermal Resistance

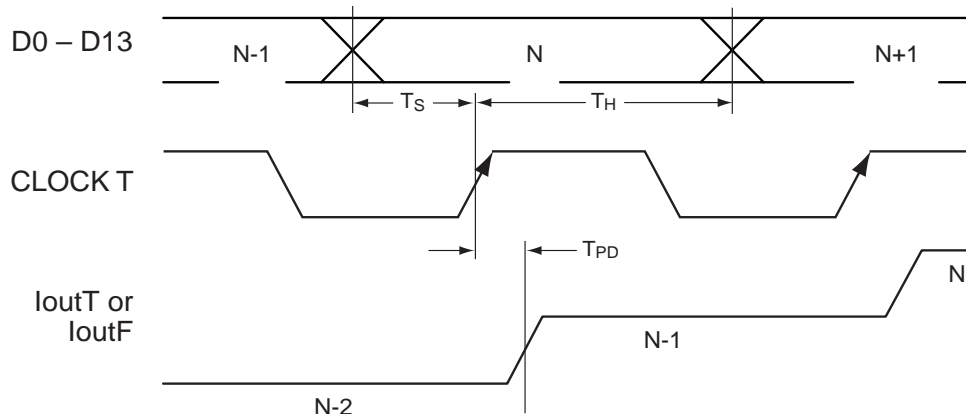
Package	$\theta_{JA}$	$\theta_{JC}$
48-pin TSSOP	56°C/W	16°C/W

## Package Transistor Count

Transistor count 8,600

## Ordering Information

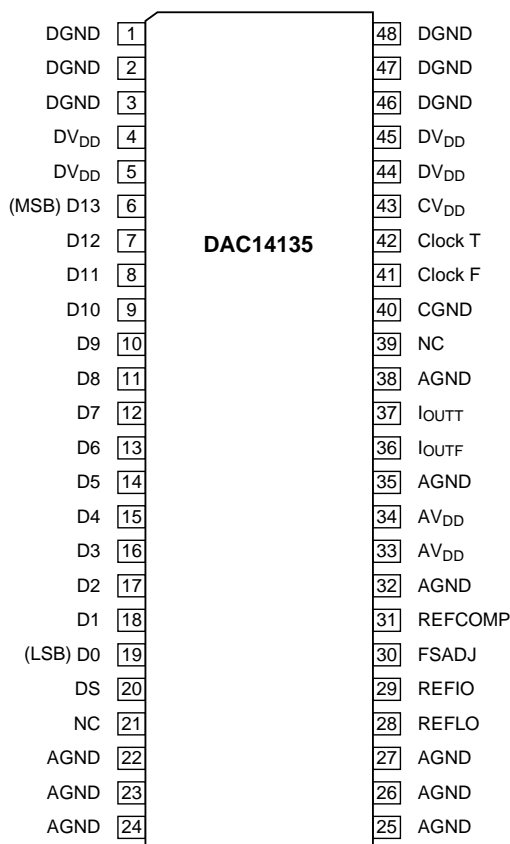
Model	Temperature Range	Description
DAC14135MT	-40°C to +85°C	48-pin TSSOP (industrial temperature range)
DAC14135MTX	-40°C to +85°C	48-pin TSSOP (TNR 1000 pc reel)
DAC14135PCASM		Fully loaded evaluation board with DAC14135 ... ready for test.



NOTE: 1 clock cycle latency

DAC14135 Timing Diagram

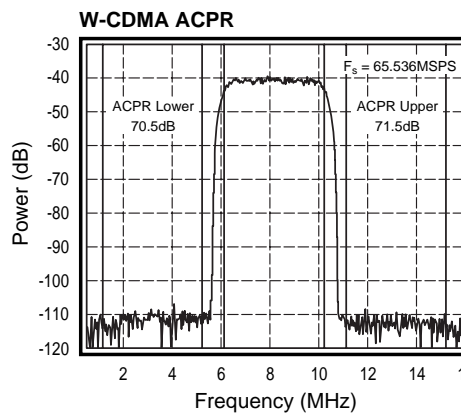
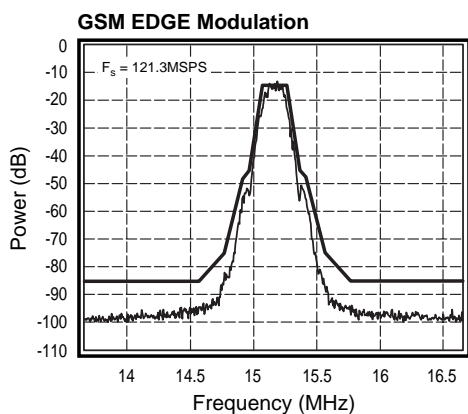
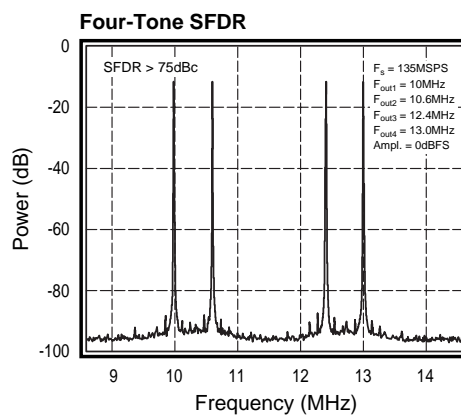
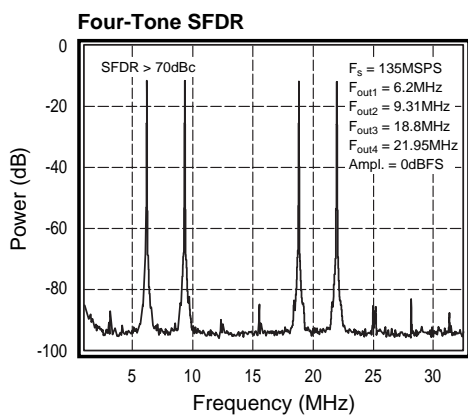
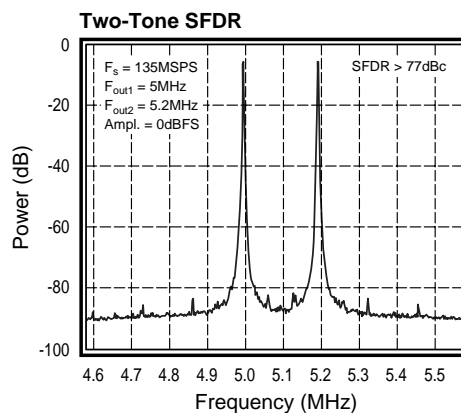
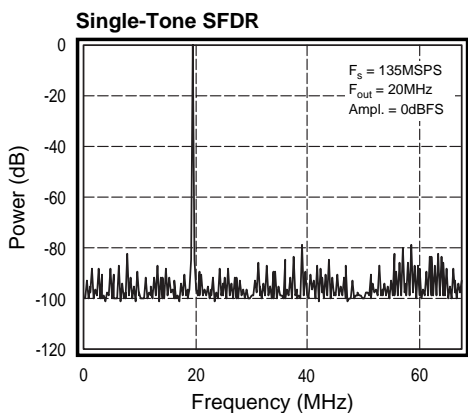
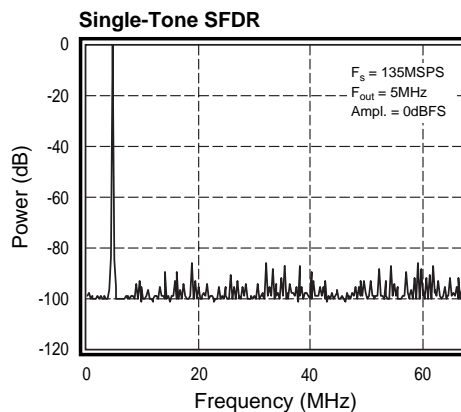
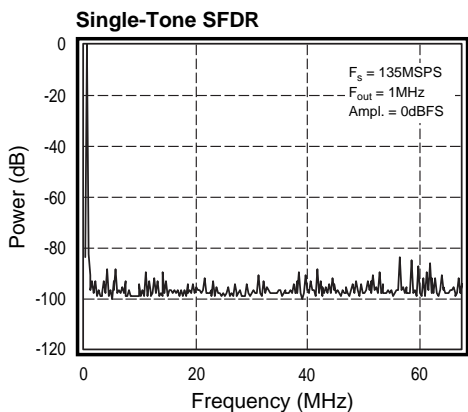
# DAC14135 Pin Definitions



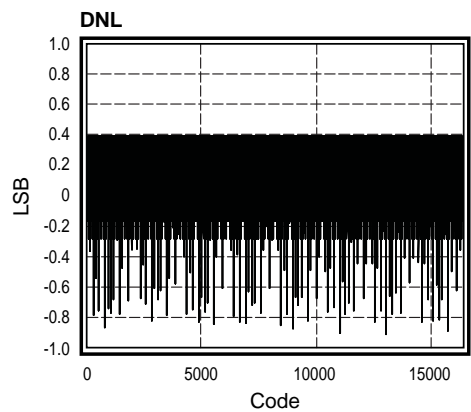
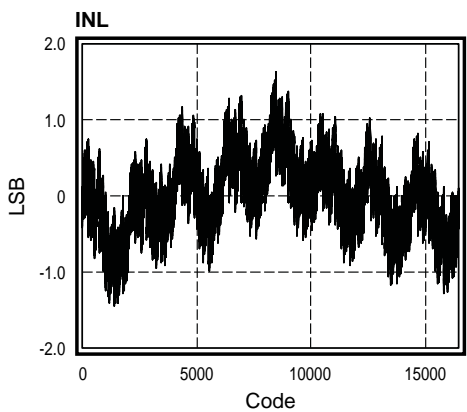
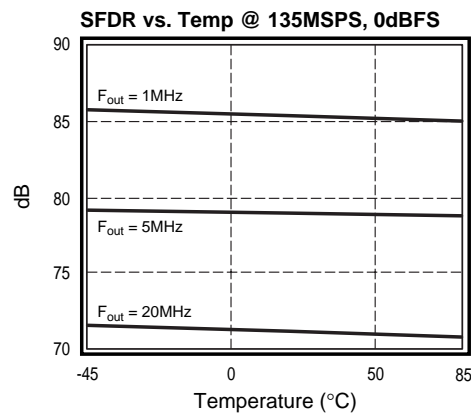
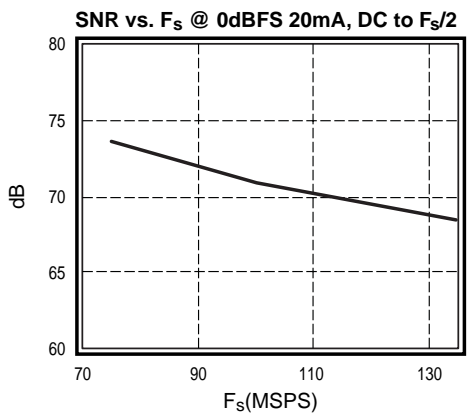
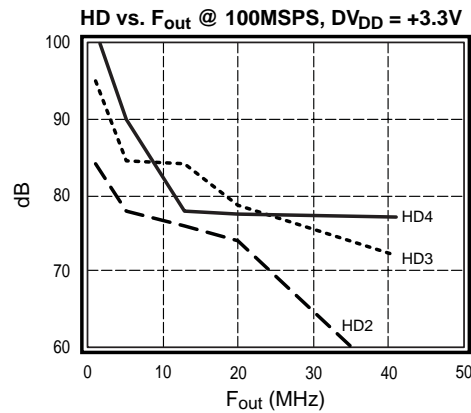
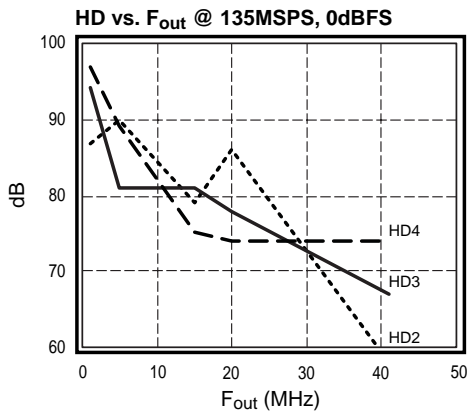
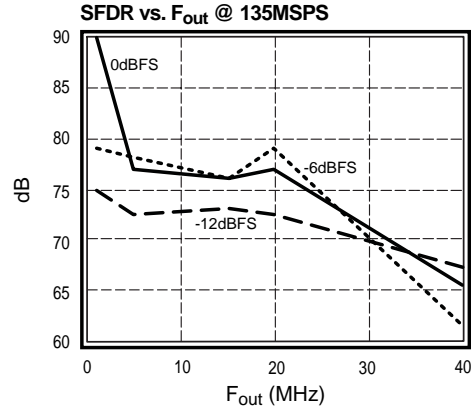
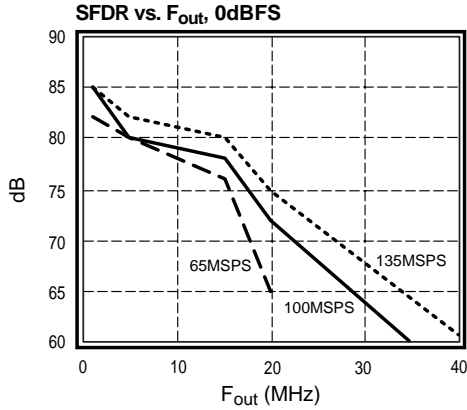
- I<sub>OUTT</sub>**  
**I<sub>OUTF</sub>** (Pins 37, 36) Differential current outputs. Output compliance range is -0.5V to +1.25V.
- Clock T**  
**Clock F** (Pins 42, 41) Differential clock inputs. Bypass CLOCKF with a 0.1μF capacitor to CGND if using single-ended clock on CLOCKT. Both inputs have internal self-bias at approximately 1.5V.
- D0 - D13** (Pins 6 - 19) Digital data inputs. CMOS (+3.3V and +5V) and TTL (with +3.3V DV<sub>DD</sub>) compatible. **D13** is the MSB.
- DS** (Pin 20) Data scramble input. If not used, either connect to ground or leave unconnected.
- AGND** (Pins 22 - 27, 32, 35, 38) Analog ground.
- DGND** (Pins 1 - 3, 46 - 48) Digital ground.
- CGND** (Pin 40) Clock ground. Connect to AGND.
- AV<sub>DD</sub>** (Pins 33, 34) +5V power supply for the analog section. Bypass to analog ground with a 0.1μF capacitor.
- DV<sub>DD</sub>** (Pins 4, 5, 44, 45) +5V or +3.3V power supply for the digital section. Bypass to digital ground with a 0.1μF capacitor.
- CV<sub>DD</sub>** (Pin 43) Internal clock buffer power supply. Bypass to clock ground with 0.1μF capacitor.
- REFIO** (Pin 29) Internal voltage reference output (V<sub>ref</sub>) or voltage reference input. Nominally +1.235V. Can be overdriven with an external reference. Bypass to AGND with 0.1μF capacitor.
- REFLO** (Pin 28) Ground for reference circuitry. Should be connected to AGND.
- FSADJ** (Pin 30) Full scale current adjust. Must be connected with an external resistor (R<sub>set</sub>) or an external current source (I<sub>ref</sub>) to analog ground.  

$$I_{fullscale} \text{ (mA)} = 42.67 \times I_{ref} = 42.67 \times \text{REFIO}/R_{set}$$
- REFCOMP** (Pin 31) Compensation pin for the internal reference circuitry. Bypass to analog ground with a 0.1μF capacitor.
- NC** (Pins 21, 39) No connect.

# DAC14135 Typical Performance Characteristics ( $A_{V_{DD}} = +5V$ , $DV_{DD} = +5V$ , $CV_{DD} = +5V$ , $T_A = 25^\circ C$ )



# DAC14135 Typical Performance Characteristics ( $V_{DD} = +5V$ , $DV_{DD} = +5V$ , $CV_{DD} = +5V$ , $T_A = 25^\circ C$ )



# DAC14135 Application Information

## Digital Data Inputs

The DAC14135's 14-bit binary inputs are CMOS compatible. The input voltage thresholds are approximately half of the digital supply voltage ( $DV_{DD}/2$ ). For a 3.3V  $DV_{DD}$ , the inputs are also compatible with standard TTL levels. Digital data is standard binary coded, D13 is the most significant bit and D0 is the least significant bit. For all 1's at the input,  $I_{OUTT} = I_{fullscale}$ ,  $I_{OUTF} = 0$ . For all 0's at the input,  $I_{OUTT} = 0$ ,  $I_{OUTF} = I_{fullscale}$ .

To prevent or reduce digital data feedthrough, keep digital data lines short and ensure separate digital grounding (DGND). 75Ω resistors in series with the digital data input path may be used to reduce overshoot and data feedthrough to the analog outputs. Digital supply ( $DV_{DD}$ ) should be decoupled to DGND using a 0.1μF bypass capacitor.

## Driving the Clock Inputs

The differential clock inputs, Clock T and Clock F, may be driven by a variety of input sources. These pins are internally self-biased at about 1.5V and therefore can be differentially AC coupled. Alternatively, a single clock source on Clock T with Clock F bypassed to CGND using a 0.1μF capacitor, may be used to clock the DAC14135. The clock driver supply voltage ( $CV_{DD}$ ) should be 5V ±5% and should be decoupled to the clock ground (CGND) using a 0.1μF capacitor. For best SFDR performance, use a differential clock input. Minimum input voltage swing (1.5V<sub>pp</sub>) and slew rate (1.0V/ns) requirements should be met for optimum performance. Low noise and low jitter clocks provide the best SNR performance for the DAC14135. Figure 1 shows one method of driving the clock inputs. A low noise sinusoidal clock source (2-4 V<sub>pp</sub>) may be used to drive the transformer primary.

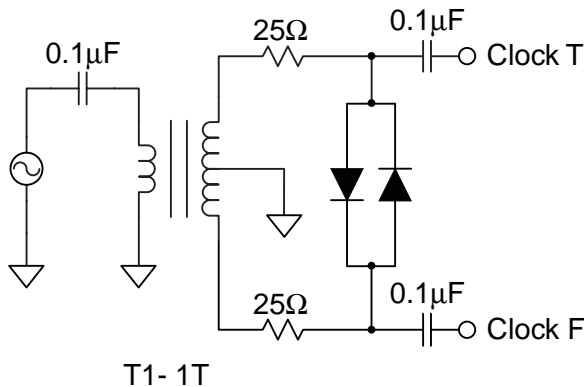


Figure 1: Method of Driving Clock Inputs

The transformer converts the single ended clock signal to a differential signal. The diodes in the secondary limit the input swing to the DAC14135.

## Latching the Input Data

Inputs of the DAC14135 include a master-slave flip-flop. Due to internal clock buffer delay, the DAC14135 requires more hold time than setup time. This timing should be observed at the DAC data and clock pins. Refer to the timing diagram and the specifications for proper setup and hold time requirements.

## Data Scramble (DS) Input Pin

The DAC14135 is equipped with a data scramble input pin (DS) that may be used to troubleshoot possible spurious or harmonic distortion degradation due to digital data feedthrough on the printed circuit board. In the DAC14135, the digital data inputs are logically XORed with the DS input pin as shown in Figure 2.

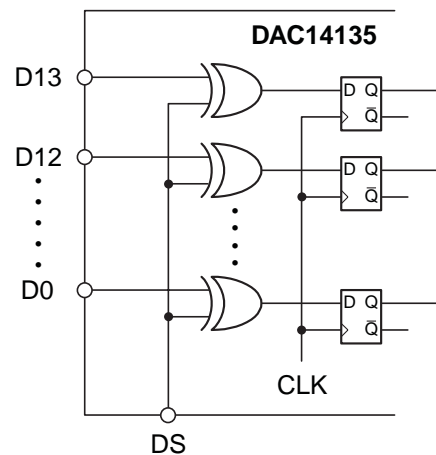


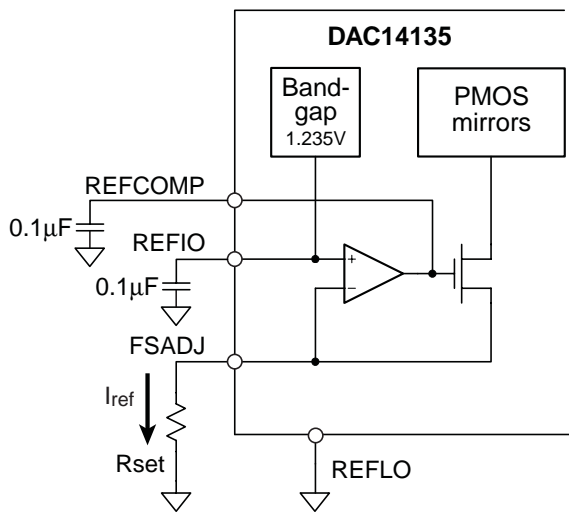
Figure 2: Digital Data Inputs with DS Input Pin

If the DS pin is at logic low (DGND) the input data is left unchanged and if this pin is at logic high ( $DV_{DD}$ ) the input data is inverted. If the input data is XORed with a random bit stream and if the same random bit stream is used to drive the DS pin, low order harmonics due to data feedthrough on the printed circuit board can be reduced. If this feature is not used, tie DS pin to ground or leave it floating (DS pin has internal active pulldown).

## Voltage Reference Loop

The DAC14135 has an internal bandgap voltage reference nominally at 1.235V. The output of this bandgap is connected to the REFIO pin. The REFIO pin is a high impedance output and therefore can be easily over-

ridden by an external bandgap reference voltage. The reference ground (REFLO) should always be tied to analog ground. The REFIO pin should be bypassed to REFLO using a 0.1µF capacitor. For reduced noise, an external compensation capacitor (0.1µF) should also be used to bypass the internal reference loop from pin REFCOMP to AGND. Figure 3 shows the internal voltage reference loop functional schematic.



**Figure 3: Internal Voltage Loop Functional Schematic**

A reference current source ( $I_{ref}$ ) from pin FSADJ to ground may be used to set the full scale output current ( $I_{fs}$ ) of the DAC14135. The full scale current is given by,

$$I_{fs} = 42.67 \times I_{ref}$$

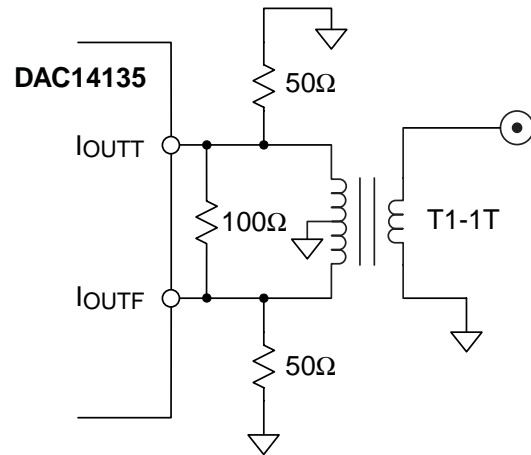
Alternatively, a resistor ( $R_{set}$ ) from FSADJ to AGND may be used to set the full scale output current of the DAC.

$$I_{fs} \text{ (mA)} = 42.67 \times \text{REFIO}/R_{set}$$

The voltage at REFIO is nominally set by the internal bandgap at 1.235V. For a full scale output current of 20mA, the value of  $R_{set}$  is 2.635kΩ.

### Analog Outputs

The differential analog outputs,  $I_{OUTT}$  and  $I_{OUTF}$  are high impedance current source outputs. These outputs, if terminated into 50Ω at 20mA full scale current, will generate a differential voltage output at  $2V_{pp}$ . The output compliance of each of the current outputs of the DAC14135 is -0.5V to +1.25V. The differential outputs can be converted to a single-ended output using an RF center-tapped transformer or a differential to single-ended amplifier. The  $I_{OUTT}$  and  $I_{OUTF}$  traces on the printed circuit board should be short and matched with adequate analog grounding nearby. One example of an AC coupled differential to single-ended topology is shown in Figure 4.



**Figure 4: AC Coupled Differential to Single-ended Topology**

### DAC14135 Grounding Information

In the DAC14135, all the grounds AGND, REFLO, DGND and CGND are shorted together inside the package. The purpose of having separate grounds on the printed circuit board is to prevent digital data currents from returning through the analog or reference grounds, and corrupting the analog outputs. Refer to the evaluation board layout.



# DAC14135 Evaluation Board Description

## General Description

The DAC14135 Evaluation Board is intended to aid in evaluating the performance of the DAC14135. The board allows the user to exercise the inputs to the DAC and examine the output in either differential or single ended mode. The board comes complete with the DAC14135, a transformer network to convert a single ended clock to a differential clock, a transformer to convert the differential output from  $I_{OUTT}$  and  $I_{OUTF}$  to a single ended output, and an edge connector. This is a 5V part, but if a 3.3V CMOS or TTL digital data interface is required, the digital supply ( $DV_{DD}$ ) should be 3.3V. A 3.3V regulator is provided so that the board can be run off of a single 5V supply. For the best distortion performance at the maximum clock frequency,  $DV_{DD}$  should be set to 5V.

## Setup and Configuration

There are two terminal blocks on the DAC14135 evaluation board, one in the upper left corner next to the AMP connectors, and one in the upper right corner. The upper right corner has the analog power supply connector, marked  $+A_{VDD}$ . The connector in the upper left is for the digital power supply and is marked  $+D_{VDD}$ . There is also a jumper next to the  $+D_{VDD}$  terminal block marked  $DV_{DD}$  with one end marked DIRECT and the other end marked +3.3V REG.

There are three ways to power the evaluation board. The default method of use is to connect the 5V power supply to both the  $+A_{VDD}$  terminal block and the  $+D_{VDD}$  terminal block and connect the jumper between the DIRECT pin (pin 1) and the middle pin (pin 2).

If a 3.3V CMOS or TTL digital data interface is required, connect the jumper between the +3.3V REG pin (pin 3) and the middle pin (pin 2). This enables the 3.3V regulator on the back side of the board. The output of the regulator is filtered and powers the digital portion of the DAC.

To use the board in the dual supply mode, connect a 5V supply to the  $+A_{VDD}$  terminal block, connect a 3.3V supply to the  $+D_{VDD}$  terminal block and connect the jumper between the DIRECT pin (pin 1) and the middle pin (pin 2). This bypasses the on-board voltage regulator, although the regulator still draws power.

## Getting Data to the Evaluation Board

The DAC14135 evaluation board is shipped with the edge connectors J1 and J2 being the default data input interface. J1 and J2 are AMP 536511-1 and 536511-3 edge connectors respectively. Data should be at the same voltage level as  $DV_{DD}$ . Figure 5 below, is an edge-on view of J2. Pins 24D-11D are the data lines with 24D being the MSB. The ground pins are 23C, 23A, 21C, 19C, 17C, 17A, 15C, 13C, 11C, 11A, 9C, 7C, 6A, 5C, 3C, and 1C. All ground pins are tied together on-board. Also, pin 10D should be at logic LOW (0V) if the data scramble feature on the DAC14135 is not used.

## Driving the Clock Input

The evaluation board has an on-board transformer, T2, that converts a single ended clock to a differential clock to drive the DAC14135. For best results drive the CLOCK SMA connector with a low jitter  $50\Omega$  source. If a sinusoidal source is used, its peak-to-peak amplitude should be at least 2.5V to meet the minimum clock input slew rate requirement. Back-to-back diodes at the secondary of the transformer T2 limit the voltage swing at the DAC14135 Clock T and Clock F input pins.

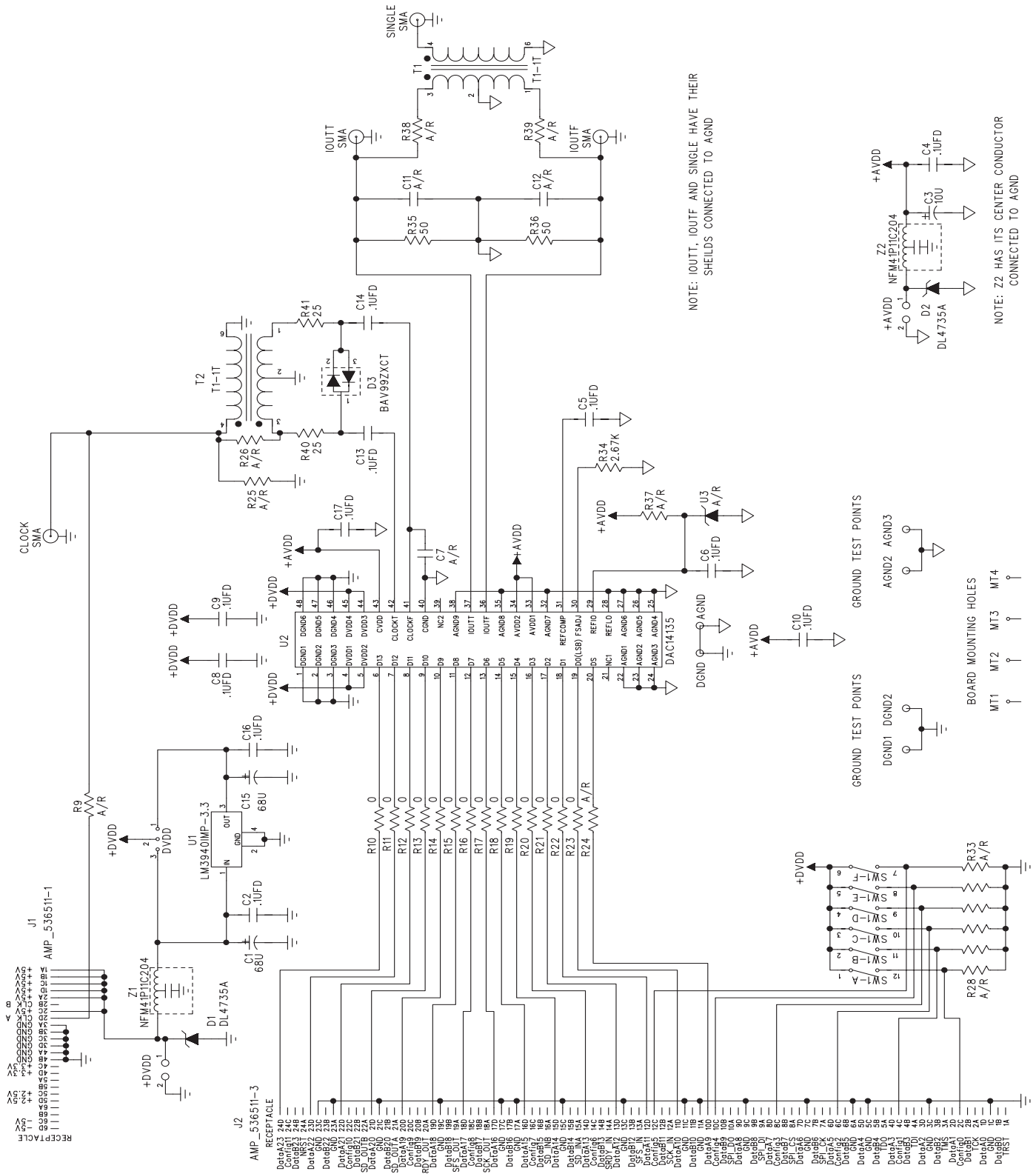
## Measuring the Analog Outputs

The evaluation board is shipped with transformer T1 installed to convert the differential output to a single ended output. However, the  $0\Omega$  resistors R38 and R39 are not installed. To take single ended measurements, install R38 and R39 and attach your instrument to the SMA connector marked 'SINGLE'. For differential output measurements, remove R38 and R39 if they are installed. Note that both outputs,  $I_{OUTT}$  and  $I_{OUTF}$  are terminated with  $50\Omega$ .

24D	23D	22D	21D	20D	19D	18D	17D	16D	15D	14D	13D	12D	11D	10D	9D	8D	7D	6D	5D	4D	3D	2D	1D
24C	23C	22C	21C	20C	19C	18C	17C	16C	15C	14C	13C	12C	11C	10C	9C	8C	7C	6C	5C	4C	3C	2C	1C
24B	23B	22B	21B	20B	19B	18B	17B	16B	15B	14B	13B	12B	11B	10B	9B	8B	7B	6B	5B	4B	3B	2B	1B
24A	23A	22A	21A	20A	19A	18A	17A	16A	15A	14A	13A	12A	11A	10A	9A	8A	7A	6A	5A	4A	3A	2A	1A

Figure 5: Pinout for J2 (Amp 536511-3)

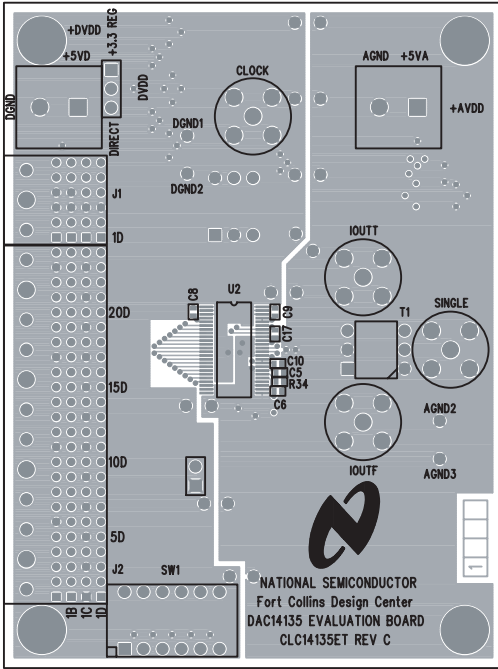
# DAC14135 Evaluation Board Schematic



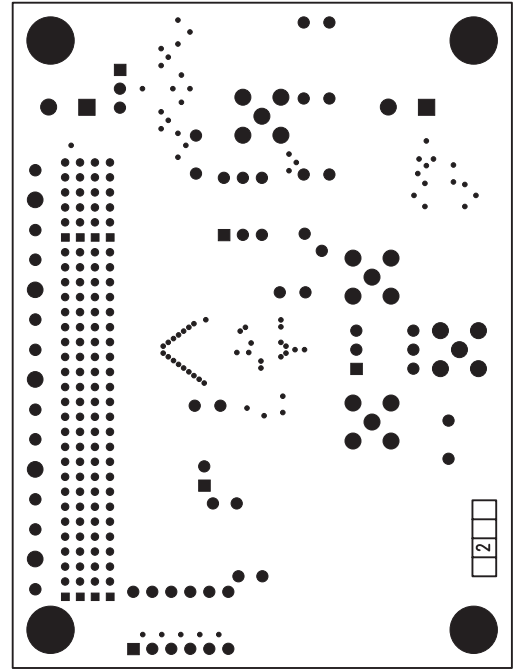
NOTE: IOUTT, IOUTF AND SINGLE HAVE THEIR SHIELDS CONNECTED TO AGND

NOTE: Z2 HAS ITS CENTER CONDUCTOR CONNECTED TO AGND

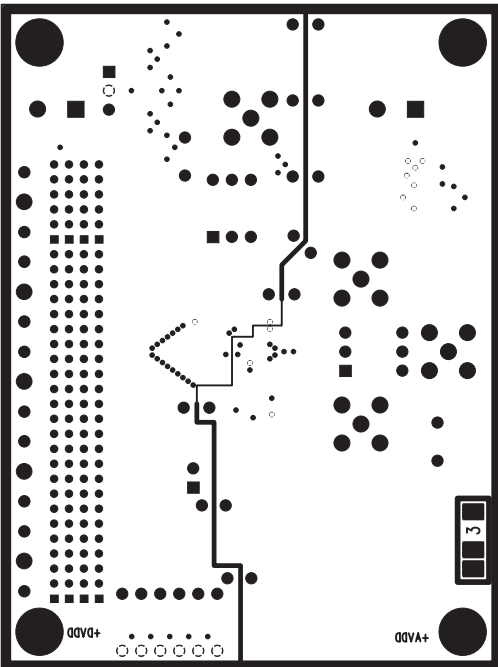
# DAC14135 Evaluation Board Layout



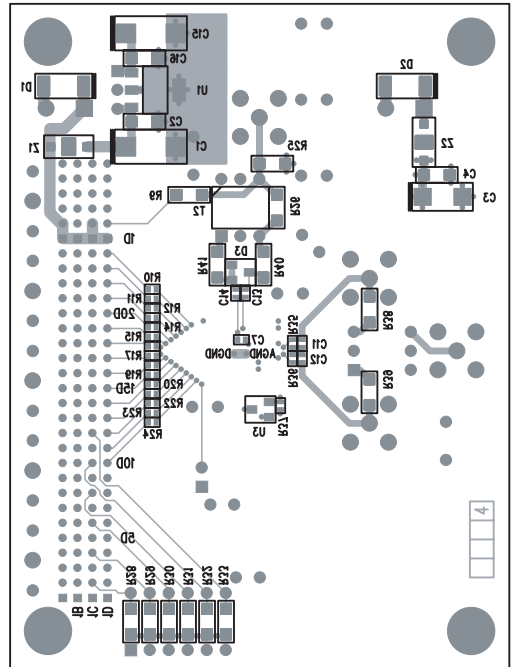
DAC14135PCASM Layer 1



DAC14135PCASM Layer 2

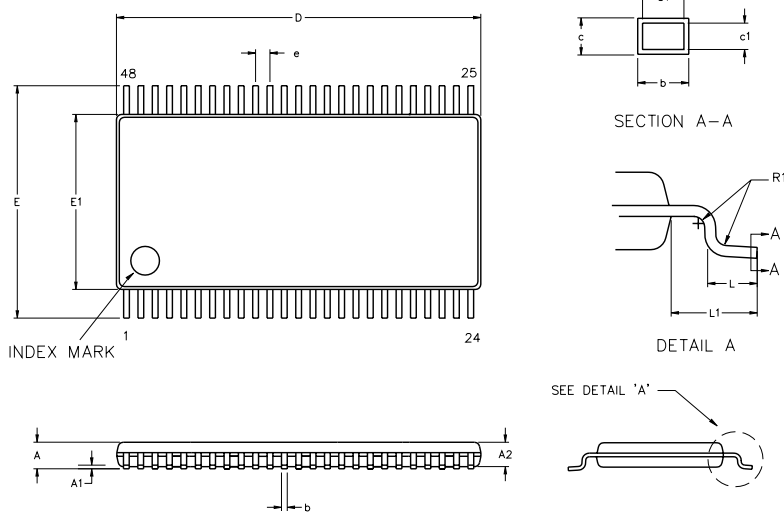


DAC14135PCASM Layer 3



DAC14135PCASM Layer 4

## DAC14135 Physical Dimensions



Symbol	Min	Max	Notes
A	—	1.10	
A1	0.05	0.15	
A2	0.80	1.05	
b	0.17	0.27	
b1	0.17	0.23	
c	0.09	0.20	
c1	0.09	0.16	
D	12.40	12.60	2
E	8.1 BSC		
E1	6.00	6.20	2
e	0.50 BSC		
L	0.50	0.75	
L1	1.00 REF		
R1	0.127		

**Notes:**

- All dimensions are in millimeters.
- Dimensions D and E1 do not include mold protrusion. Allowable protrusion is 0.20mm per side.

### Customer Design Applications Support

National Semiconductor is committed to design excellence. For sales, literature and technical support, call the National Semiconductor Customer Response Group at **1-800-272-9959** or fax **1-800-737-7018**.

### Life Support Policy

National's products are not authorized for use as critical components in life support devices or systems without the express written approval of the president of National Semiconductor Corporation. As used herein:

- Life support devices or systems are devices or systems which, a) are intended for surgical implant into the body, or b) support or sustain life, and whose failure to perform, when properly used in accordance with instructions for use provided in the labeling, can be reasonably expected to result in a significant injury to the user.
- A critical component is any component of a life support device or system whose failure to perform can be reasonably expected to cause the failure of the life support device or system, or to affect its safety or effectiveness.



**National Semiconductor Corporation**  
1111 West Bardin Road  
Arlington, TX 76017  
Tel: 1(800) 272-9959  
Fax: 1(800) 737-7018

**National Semiconductor Europe**  
Fax: (+49) 0-180-530 85 86  
E-mail: europe.support.nsc.com  
Deutsch Tel: (+49) 0-180-530 85 85  
English Tel: (+49) 0-180-532 78 32  
Francais Tel: (+49) 0-180-532 93 58  
Italiano Tel: (+49) 0-180-534 16 80

**National Semiconductor Hong Kong Ltd.**  
2501 Miramar Tower  
1-23 Kimberley Road  
Tsimshatsui, Kowloon  
Hong Kong  
Tel: (852) 2737-1600  
Fax: (852) 2736-9960

**National Semiconductor Japan Ltd.**  
Tel: 81-043-299-2309  
Fax: 81-043-299-2408